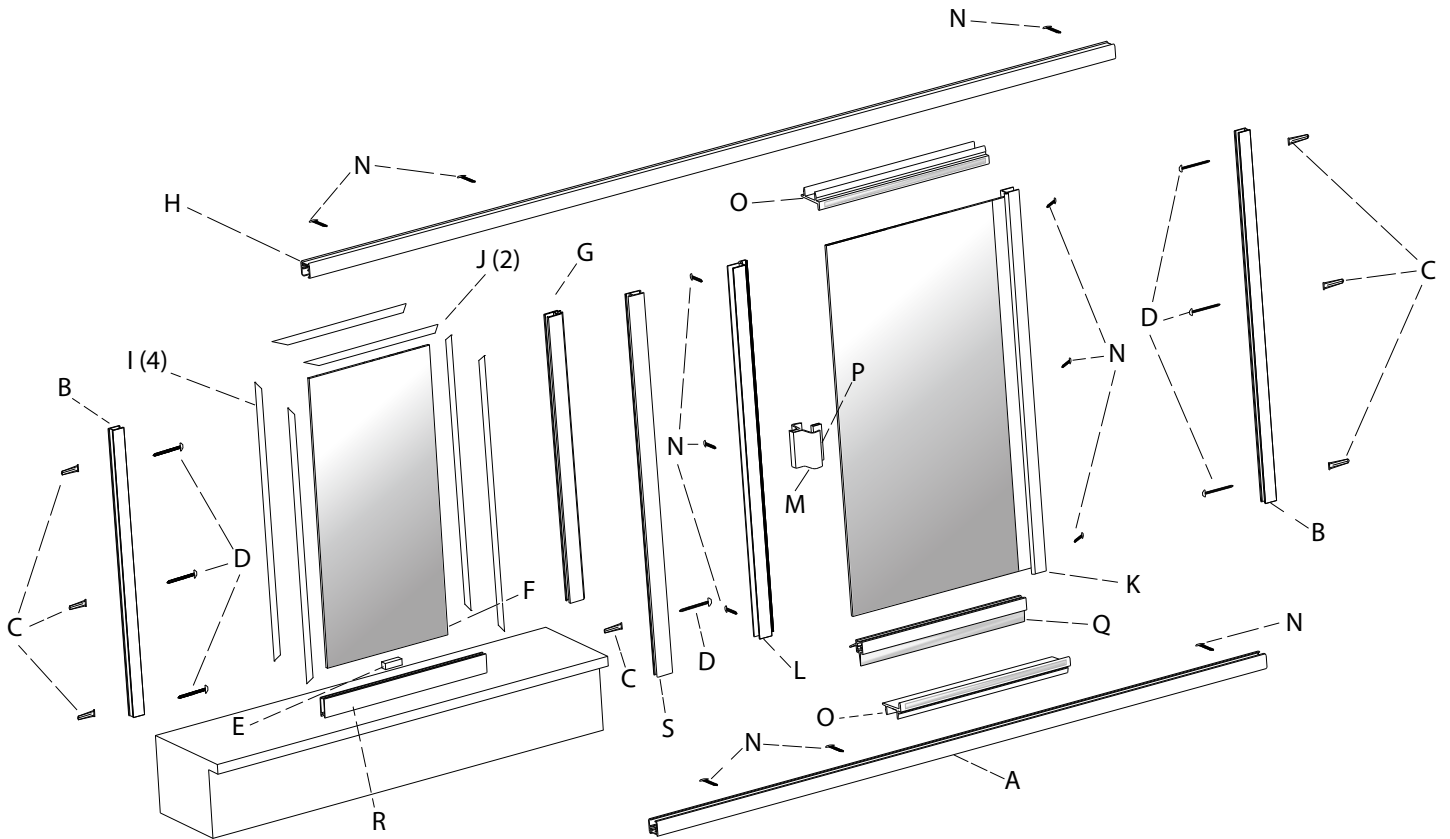


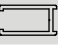





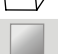






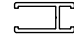





Installation Instructions

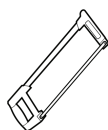
Crystal Series 2200 / 2225 / 2245 with Inline Buttress Panel



Parts

| ITEM | PARTS # | QTY | DESCRIPTION | | ITEM | PARTS # | QTY | DESCRIPTION | |
|------|---------|-----|-----------------------------|---|------|---------|-----|-------------------------------|---|
| A | 401 C | 1 | Stall Curb |  | K | 201 | 1 | Hinge Jamb with Door Attached |  |
| B | 203 | 2 | Wall Channel |  | L | 202 | 1 | Latch Jamb with Magnet |  |
| C | 113 | 7 | Plastic Wall Anchors |  | M | 261 | 1 | Handle with Magnet |  |
| D | 110 | 7 | #8 x 1 1/2" Pan Head Screw |  | N | 119 | 12 | #6 x 1/2" Pan Head Screws |  |
| E | 147 | 1 | Setting Block |  | O | 402 | 2 | Curb Filler |  |
| F | | 1 | Glass Panel |  | P | VM-24 | 1 | Vinyl Insert |  |
| G | 406 | 1 | Snap Post Filler |  | Q | VM-12 | 1 | Frameless Dip Bar |  |
| H | 401 H | 1 | Stall Header |  | R | 210 | 1 | Friction Sill |  |
| I | VM-4 | 4 | Wall Channel Vinyl |  | S | 410 | 1 | 180-Degree Snap Post |  |
| J | VM-3 | 2 | Stall Header and Curb Vinyl |  | | | | | |

Tools



Hacksaw



Philips Screwdriver



Level



3/16" and 1/8" Drill Bit



Drill



Safety Glasses



Tape Measure



Masking Tape

Installation Notes

- The order in which the stationary panel and shower door are placed can be reversed. Door can be hinged left or hinge right.
- Unpack your unit carefully. Lay out and identify all parts using the instruction sheets as a reference. Before discarding the carton, check for any small hardware bags.
- If any parts are damaged or missing, refer to the description noted in the instructions when contacting your dealer for replacements.
- Please wear safety glasses whenever drilling or cutting.
- Handle the glazed panels carefully; tempered glass is difficult to break, but the sharp corners of the panels can damage tile and floor coverings.
- Before installing, check the tub rim for level and both walls for plumb. If either are out of plumb more than 3/8", you may want to contact your dealer for tapered fillers which can be used to level tub track or plum the side jambs.



Caution: Tempered glass cannot be cut or drilled

1.

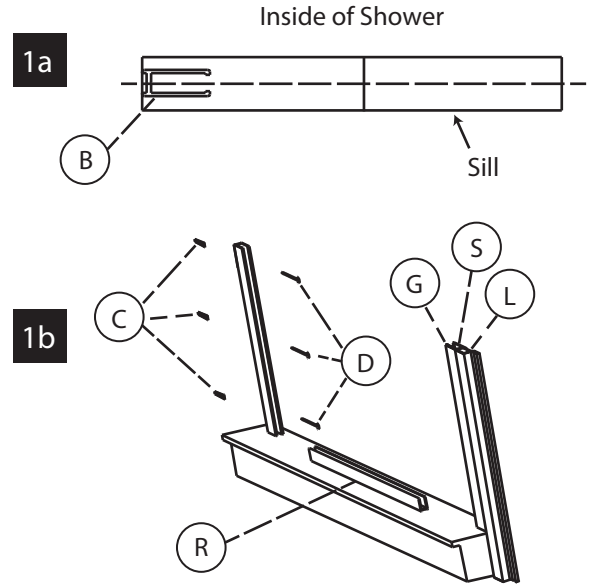
WALL CHANNEL for BUTTRESS

Step 1a.

- Place wall channel (C) on wall inline with where the shower door. Mark hole locations on wall and remove wall channel (B) from buttress.
- Drill the walls with 3/16" drill bit (for tile drill using a 3/16" masonry bit). Insert plastic wall anchors (C) into drilled holes.

Step 1b.

- Replace the wall channel (B) and secure to wall with **six** #8 X 1 1/2" pan head screws (D). Press friction sill (R) into wall channel (B).



2.

STALL CURB and WALL CHANNEL

Step 2a.

- Measure the opening from the buttress wall to the full wall and cut the stall curb (A) to fit the full width of the opening. Position the curb in the center of the opening with the weep slots facing interior and mark its position. Align with friction sill on buttress.
- Press snap post filler (G) with 180-degree snap post (S) attached onto buttress wall and into stall curb. Mark hole on the buttress wall and remove post. Drill buttress wall with 3/16" drill bit and insert plastic wall anchor into drilled hole.

Step 2b.

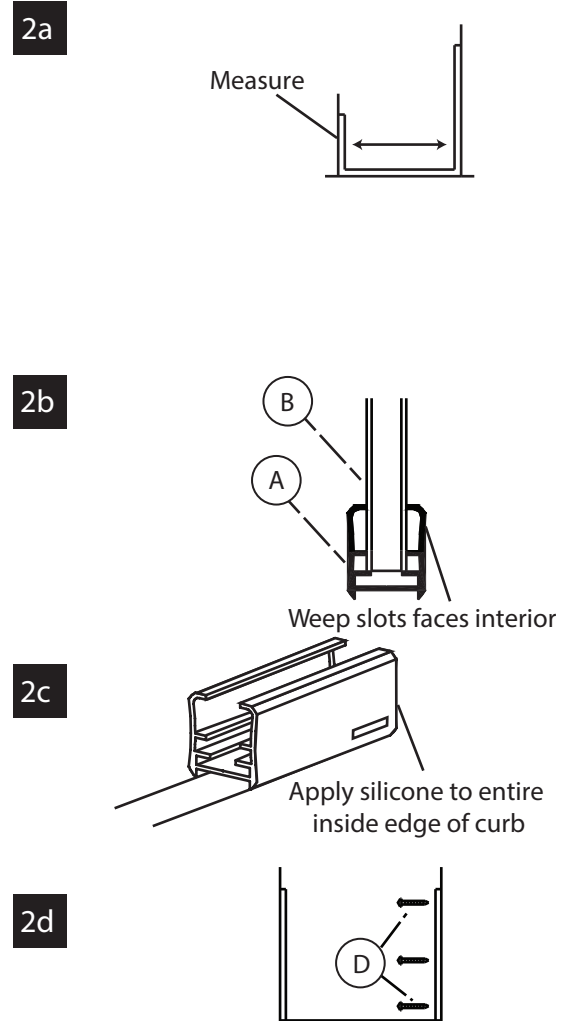
- Press the wall channels (B) into the curb. Plumb the jambs and mark the hole locations on the wall.
- Remove all parts and drill the wall using 3/16" drill bit. Push the wall anchors (C) into the drilled holes.

Step 2c.

- Apply silicone to underside of curb (A) and replace the curb back into the previous location. Silicone both ends of curb in the area where it meets the wall.

Step 2d.

- Replace wall channels (B) and secure to wall with #8 X 1 1/2" pan head screws (D).

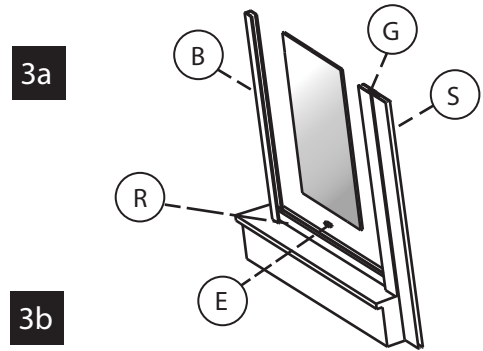


3.

BUTTRESS GLASS

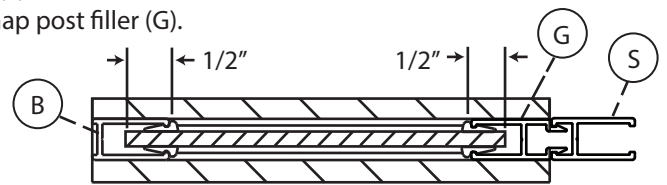
Step 3a.

- Place setting block (E) into friction sill so that the setting block will fit in the middle of glass panel (F). Place glass into friction sill (R) and wall channel (B).



Step 3b.

- Next, press snap post filler (G) with 180-degree snap post (S) attached over friction sill (R) and glass so the glass goes 1/2" into snap post filler (G).
- Then secure 180-degree snap post (S) to buttress by screwing in #8 x 1 1/2" screw (D).

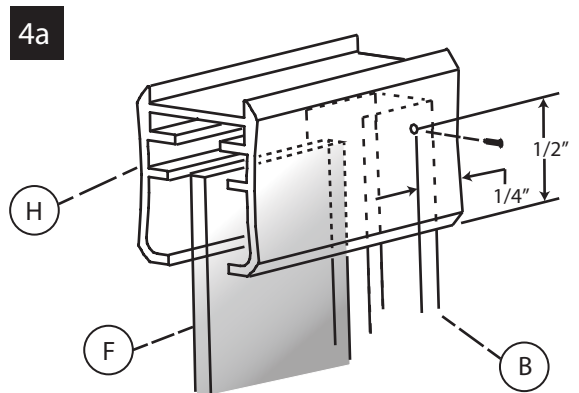


4.

SECURING HEADER

Step 4a.

- Measure the wall-to-wall opening at the top of the wall channels (B) and cut the stall header (H) to fit exact opening.
- Place header (H) over wall channels (B) and snap post filler (G) with 180-degree snap post (S) attached and secure header to wall channels by drilling holes with a 1/8" drill bit through header and wall channels from inside of shower.
- Slide glass panel (F) away from the wall channels before drilling. The drill bit must not hit the glass.
- Secure with #6 X 1/2" pan head screws (N). Repeat on other side and bottom two corners. Reposition the glass panel.



5.

DOOR and PANEL

Note: For the door and panel to fit the opening, the unit has a 1" adjustment in the fixed panel and a 1" adjustment in the door; 1/2" maximum adjustment at each end. Most installers prefer to take the maximum amount of adjustment out of the fixed panel.

To determine these adjustments: the glass of the fixed panels must go into the wall channel (B) and snap post filler (G) with 180-degree snap post (S) attached at least 1/4" on both sides; this is to ensure that the vinyl will hold the glass properly and provide adequate water protection.

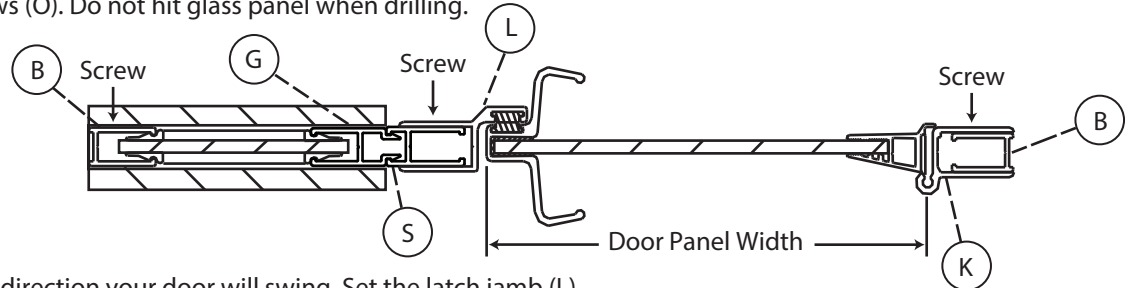
The distance between the wall channel and snap post filler on the fixed panel side can never be smaller than the panel size minus 1 1/2" and never wider than the panel size minus 1/2" (For example: A 10" panel equals 8 1/2" minimum distance and 9 1/2" maximum distance). Next, the opening for the door must be large enough.

5.

DOOR and PANEL CONTINUED

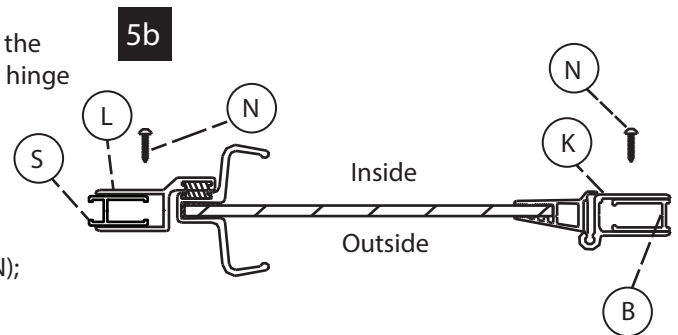
Step 5a.

- Measure the door panel width. The top and bottom door rails must be equal.
- Measure the distance between the wall channel (B) and the snap post filler (G). This measurement between posts must be a 1/2" greater than the door panel width, and no more than 1 1/2" longer than the door panel width.
- Next, secure stall header (H) and stall curb (A) to snap post filler (G) and wall channels (B) by drilling 1/8" holes and attach with #6 x 1/2" pan head screws (O). Do not hit glass panel when drilling.



Step 5b.

- Determine the direction your door will swing. Set the latch jamb (L) over the post (magnet facing the outside), but do not secure.
- From inside of shower, set the hinge jamb (K) in place over the 180-degree snap post (S) or wall channel (B) depending on hinge direction. Close the door so door magnet and latch jamb magnet connect. Adjust door on wall channel (B) and 180-degree snap post (S).
- Next, drill through top pilot hole of hinge jamb into post using 1/8" drill bit. Secure top hole using #6 X 1/2" screw (N); the door will stay in place with only top screw.
- Plumb hinge jamb and drill the other five holes and secure with the rest of the screws.

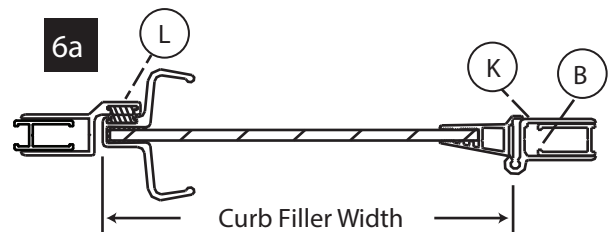


6.

MEASURE for CURB FILLERS

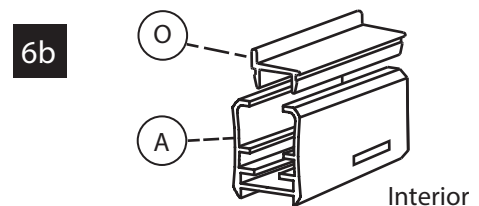
Step 6a.

- Measure between the latch jamb (L) and the hinge jamb (K). Cut curb fillers (O) to this measurement.



Step 6b.

- Snap curb fillers into stall header (H) and stall curb (A) with the 1/8" lip to the outside.



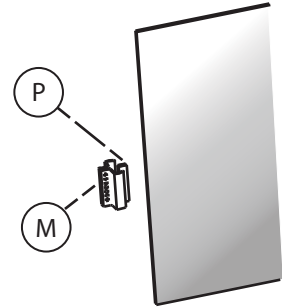
7.

HANDLE ATTACHMENT

Step 7a.

- The magnet on the handle (M) must mate with magnet on latch jamb (L).
- Wrap vinyl insert (P) around edge of glass, push handle over vinyl. This goes on hard so there is no movement in handle.

7a



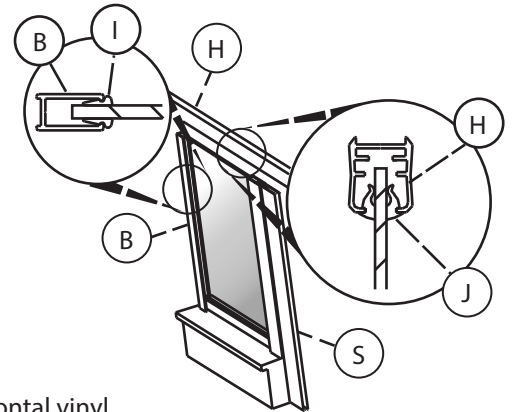
8.

APPLYING the VINYL STRIP

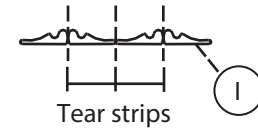
Step 8a.

- Inspect the glazing vinyl and note that there are two profiles. The larger profile (J) is installed horizontally and the smaller profile (I) is installed vertically. The horizontal vinyl is installed first.
- Cut the vinyl slightly longer than the opening (this prevents shrinkage). Press the interior vinyl into place.
- Use a wood block to tap the exterior vinyl into place starting at both ends and work towards the middle.
- Install the bottom vinyl in the same manner.
- Install the vertical vinyl being sure the corners fit tightly against the horizontal vinyl. If vinyl is difficult to tap on, lubricate the glass and vinyl with glass cleaner, then press in vinyl.

8a



Note: The wall channel vinyl (I) may be provided with four strips in one. Tear each strip off.



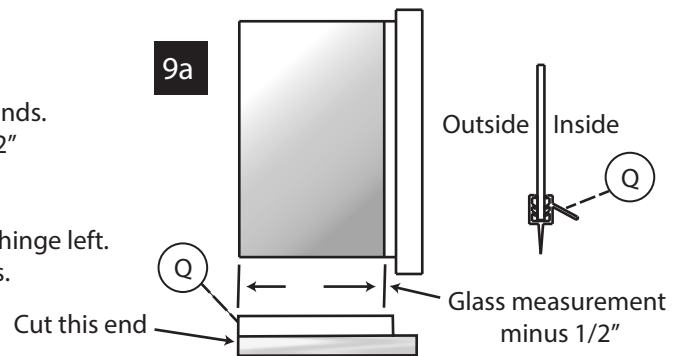
9.

DRIP BAR

Step 9a.

- Take vinyl drip bar (Q). Note that there is a notch on both ends. Measure exposed glass at bottom of door. Cut vinyl (Q) 1/2" less than exposed glass.
- If door is hinge right, leave right side notch, opposite for a hinge left. Notch part of vinyl slides under rail that is attached to glass. Push up on glass, making sure lip on vinyl faces inside.

9a



10.

SILICONE SETUP

Step 10a.

- Silicone the entire unit where metal meets wall and curb. We recommend you let silicone set for 24 hours before using shower



24hrs