

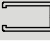




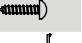



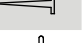










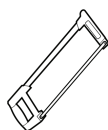


Parts

ITEM	PART #	QTY	DESCRIPTION		ITEM	PART #	QTY	DESCRIPTION	
A	401 C	2	Stall Curb		L	202	1	Latch Jamb with Magnet	
B	203	2	Wall Channel		M	214 F	1	Exterior Handle	
C	113	6	Plastic Wall Anchors		N	214 M	1	Interior Handle	
D	110	6	#8 x 1 1/2" Pan Head Screw		O	119	14	#6 x 1/2" Pan Head Screws	
E	147	2	Setting Block		P	204	1	Drip Bar with Tap	
F		2	Glass Panel		Q	VM-2	1	Drip Bar Vinyl	
G	405	1	90-Degree Post		R	402	2	Curb Fillers	
H	401 H	2	Stall Header		S	114	2	#6-32 X 1 1/4" Round Head Screws	
I	VM-4	8	Wall Channel Vinyl		T	122	8	#6 X 1/4" Phillips Pan Type F	
J	VM-3	8	Stall Header and Curb Vinyl		U	145	2	90-Degree Bracket	
K	201	1	Hinge Jamb with Door Attached		V	404	1	180-Degree Post	

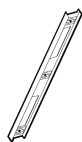
Tools



Hacksaw



Philips Screwdriver



Level



3/16" and 1/8" Drill Bit



Drill



Tape Measure



Safety Glasses



Masking Tape

Installation Notes

- Unpack your unit carefully. Lay out and identify all parts using the instruction sheets as a reference. Before discarding the carton, check for any small hardware bags.
- If any parts are damaged or missing, refer to the description noted in the instructions when contacting your dealer for replacements.
- Please wear safety glasses whenever drilling or cutting.
- Handle the glazed panels carefully; tempered glass is difficult to break, but the sharp corners of the panels can damage tile and floor coverings.
- Before installing, check the tub rim for level and both walls for plumb. If either are out of plumb more than 3/8", you may want to contact your dealer for tapered fillers which can be used to level tub track or plum the side jambs.



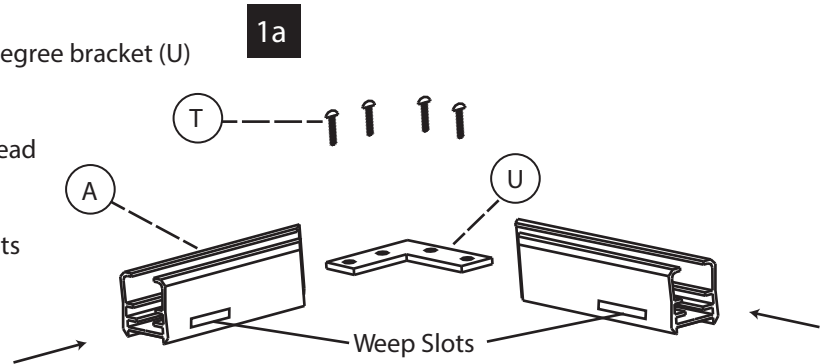
Caution: Tempered glass cannot be cut or drilled

1.

STALL CURB and WALL CHANNEL

Step 1a.

- Assemble the two curbs (A) by sliding a 90-degree bracket (U) into the miter ends of the stall curbs.
- Secure the 90-degree plate with four allen head #6 X 1/4" set screws (T).
- Place the curb on center of sill with weep slots facing the inside of the shower and mark its position.

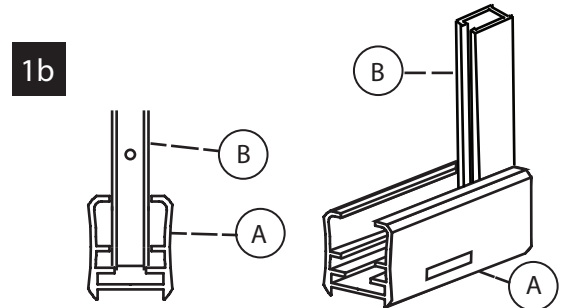


Note: In some instances, the ends of the curb section may have to be filed to fit the small radius at the ends of the base.

Note: The stall curb is cut to size at the factory. If not, measure stall curb from long point of miter, take centerline of curb and add 1/2". Measure stall curb from long point of miter

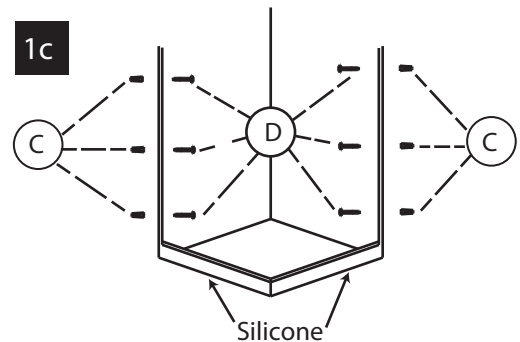
Step 1b.

- Press the wall channels (B) into curb (A) with the open end facing out.



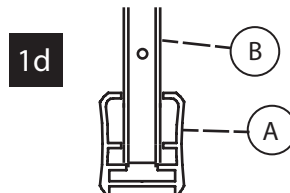
Step 1c.

- Plumb the wall channels and mark the hole locations on the wall. Remove all parts and drill the walls with 3/16" drill bit (for tile, drill with a 3/16" masonry bit.)
- Insert plastic wall anchors (C) into drilled holes.
- Apply silicone to the underside of the curb (A) and replace in the exact position marked in step 1c.
- Caulk around both ends of the curb in the area where it meets the wall, around the 90-degree brackets (U), over screw heads, and the interior of the miter joints.



Step 1d.

- Replace the wall channels (B) and secure to wall with six #8 X 1 1/2" pan head screws (D).



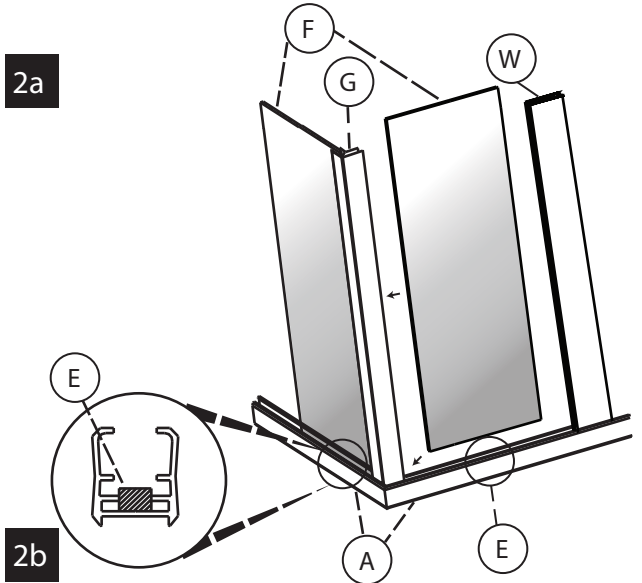
2.

SETTING the GLASS PANELS

Step 2a.

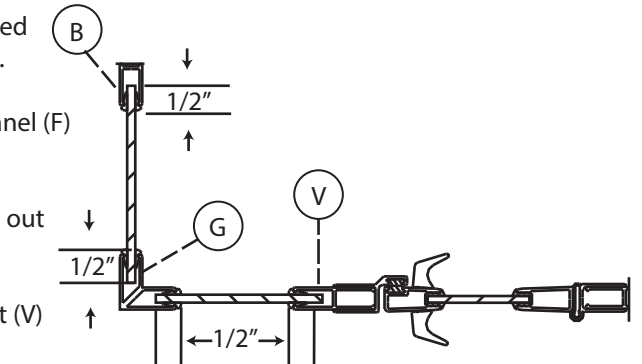
- Place setting block (E) in the curbs (A) as shown. The setting block should be positioned to support glass panel (F) in the middle of panel.

Note: This illustration assumes the panel is on the left and the door is on the right. You have the option for having the door on the left or right.



Step 2b.

- Set the glass panel so that it will rest on the setting block and will fit approximately 1/2" into the wall channel. If patterned glass is used, the rough surface must be turned to the exterior.
- Press the 90-degree post (G) into curb (A) and overlap glass panel (F) by 1/2".
- The 1/2" glass bite may be varied from 1/4" to 3/4" to facilitate out of plumb walls.
- Next, set the inline panel on glass block. Press 180-degree post (V) into stall curb and position to overlap glass by 1/2"

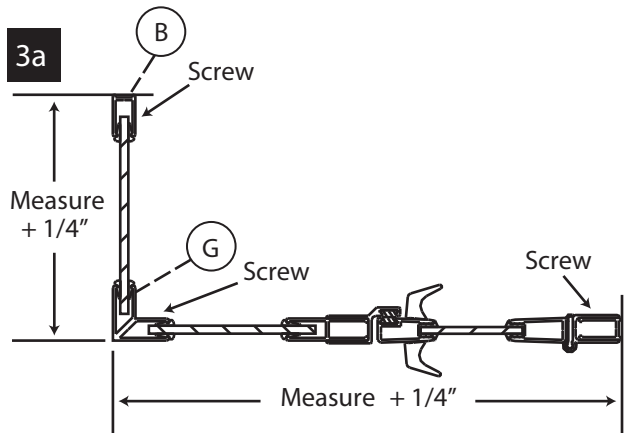


3.

SECURING the HEADER

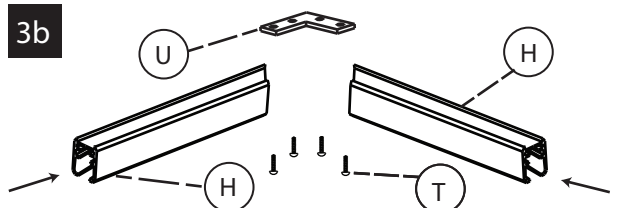
Step 3a.

- Plumb the 90-degree post (G) and measure the opening at the top of the wall channels (B) to the 90-degree post and add 1/4". Cut the header (H) to fit measurement. Do this for both ends.



Step 3b.

- Assemble the two headers (H) by sliding the 90-degree bracket (U) into mitered end of the header.
- Secure the 90-degree plate with four allen head #6 X 1/4" set screws (T). Do not over tighten.



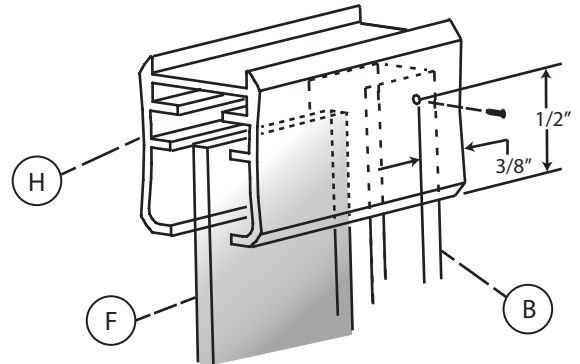
3.

SECURING the HEADER CONTINUED

Step 3c.

3c

- Place header (H) over vertical posts; secure header to wall channels by drilling holes with a 1/8" drill bit through header and wall channels from inside of shower.
- Slide glass panel (F) away from the wall channels before drilling. The drill bit must not hit the glass.
- Secure with #6 X 1/2" pan head screws (T). Repeat on other side and bottom three corners.
- Reposition the glass panel.



Note: Headers (H) come 3" longer to compensate for out of plumb walls. Make sure when cutting to size, you cut the sides of the headers that will be butting up to the wall, **NOT** mitered corners that meet and are secured by the 90-degree bracket (U).

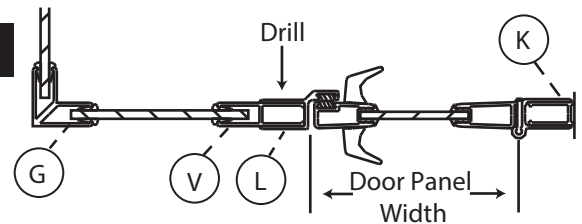
4.

MEASURING for FIXED GLASS PANEL

Step 4a.

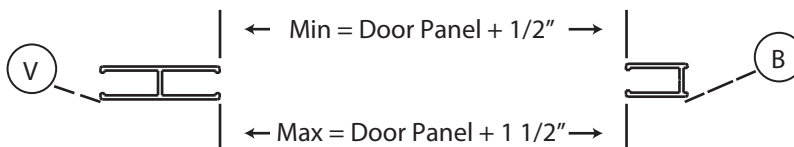
4a

- The glass of the fixed panel must go into the 90-degree post (G) and the 180-degree post (V) at least 1/4" on both sides. This is to ensure that vinyl will hold glass properly and provide adequate water protection.



Note: A good way to remember this measurement is that the distance between the wall channel and the 180-degree post on the fixed panel side (i.e. daylight) can never be narrower than panel size minus 1 1/2" and never wider than panel size minus 1/2".

For example: a 10" panel equals 8 1/2" minimum distance and 9 1/2" maximum distance.



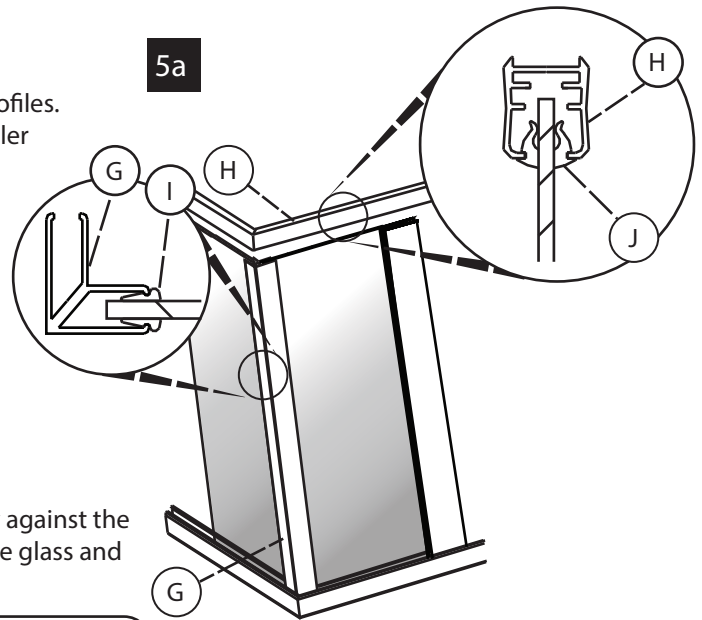
- Second, the opening for the door must be adequate. Measure the door panel width. This should be the same measurement at the top or bottom rail of the door. Measure distance between wall channel (B) and 180-degree post (V). This measurement between posts must be a 1/2" greater than the door panel width and no more than 1 1/2" longer than door panel width.
- Next, secure stall header (H) and stall curb (A) to 180-degree post (V) by drilling 1/8" holes and attaching with #6 X 1/2" pan head screws (drill through 180-degree post away from glass).

5.

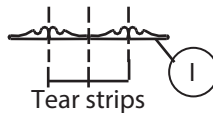
APPLYING the VINYL STRIPS

Step 5a.

- Inspect the glazing vinyl and note that there are two profiles. The larger profile (J) is installed horizontally and the smaller profile (I) is installed vertically. The horizontal vinyl is installed first.
- Cut the vinyl slightly longer than the opening (this prevents shrinkage). Press the interior vinyl into place.
- Use a wood block to tap the exterior vinyl into place starting at both ends and work towards the middle.
- Install the bottom vinyl in the same manner.
- Install the vertical vinyl being sure the corners fit tightly against the horizontal vinyl. If vinyl is difficult to tap on, lubricate the glass and vinyl with glass cleaner, then press on vinyl.



Note: The wall channel vinyl (I) may be provided with four strips in one. Tear each strip off.

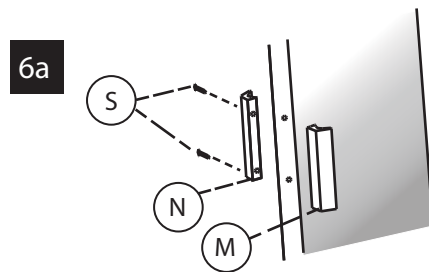


6.

HANDLE ATTACHMENT

Step 6a.

- Attach the exterior handle (M) and the interior handle (N) to the door with two # 6-32 X 1 1/4" round head screws (S).

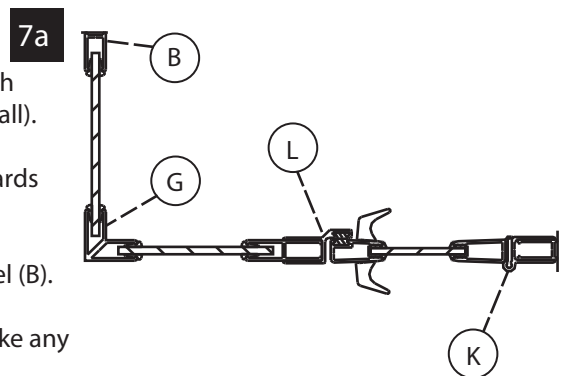


7.

PLACING the DOOR

Step 7a.

- The door is reversible and can swing to the right or left. Decide which way you wish the door to swing (illustration shows hinge right off wall).
- Slide latch jamb (L) over the 180-degree post (V) with long side towards the inside.
- Slide hinge jamb with door attached (K) over the proper wall channel (B).
- Close the door so the magnets are touching. Move the door and make any adjustments on the 180-degree post and wall channel.
- Check gap above door so that it is even. Drill, with a #32 drill bit, to top pilot hole on hinge jamb and secure with #6 X 1/2" pan head screw (O); door will stay in place with one screw. Plumb the hinge and latch jambs then drill and secure remaining five holes.

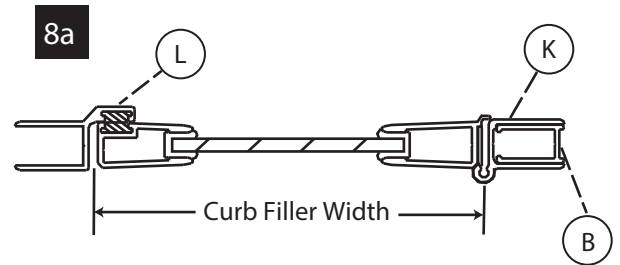


8.

MEASURE for CURB FILLERS

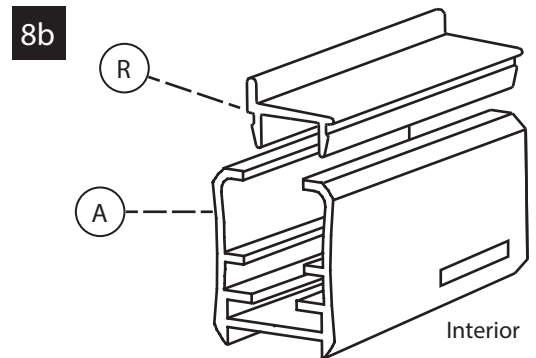
Step 8a.

- Measure between the latch jamb (L) and the hinge jamb (K). This should be the same as top or bottom rail of door + 5/16". Cut curb fillers to this measurement.



Step 8b.

- Snap curb fillers (R) into stall header (H) and stall curb (A) with the 1/8" lip to the outside.

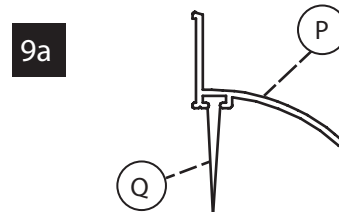


9.

DRIP BAR

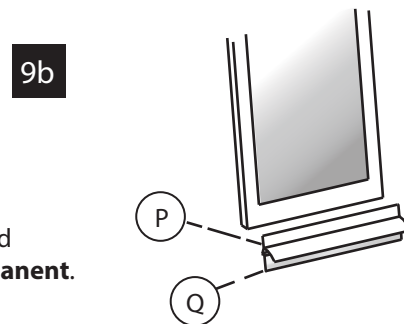
Step 9a.

- Take the drip bar with tape (P) and the clear drip bar vinyl (Q) and slide the vinyl into the groove at the bottom of the drip bar.
- Leave 1/4" hanging out at both ends and crimp, so that the vinyl does not slide in groove.



Step 9b.

- From inside of shower, set drip bar on bottom rail and adjust so approximately 1/8" daylight space remains between bottom of vinyl and curb filler (R).
- Mark with pencil; peel off tape and press drip bar to door on marked position. You only get one chance to do this; **the adhesive is permanent.**

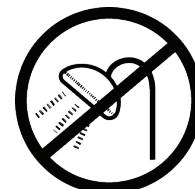


10.

SILICONE SETUP

Step 10a.

- Silicone the entire unit where metal meets wall and curb. We recommend you let silicone set for 24 hours before using shower



24hrs