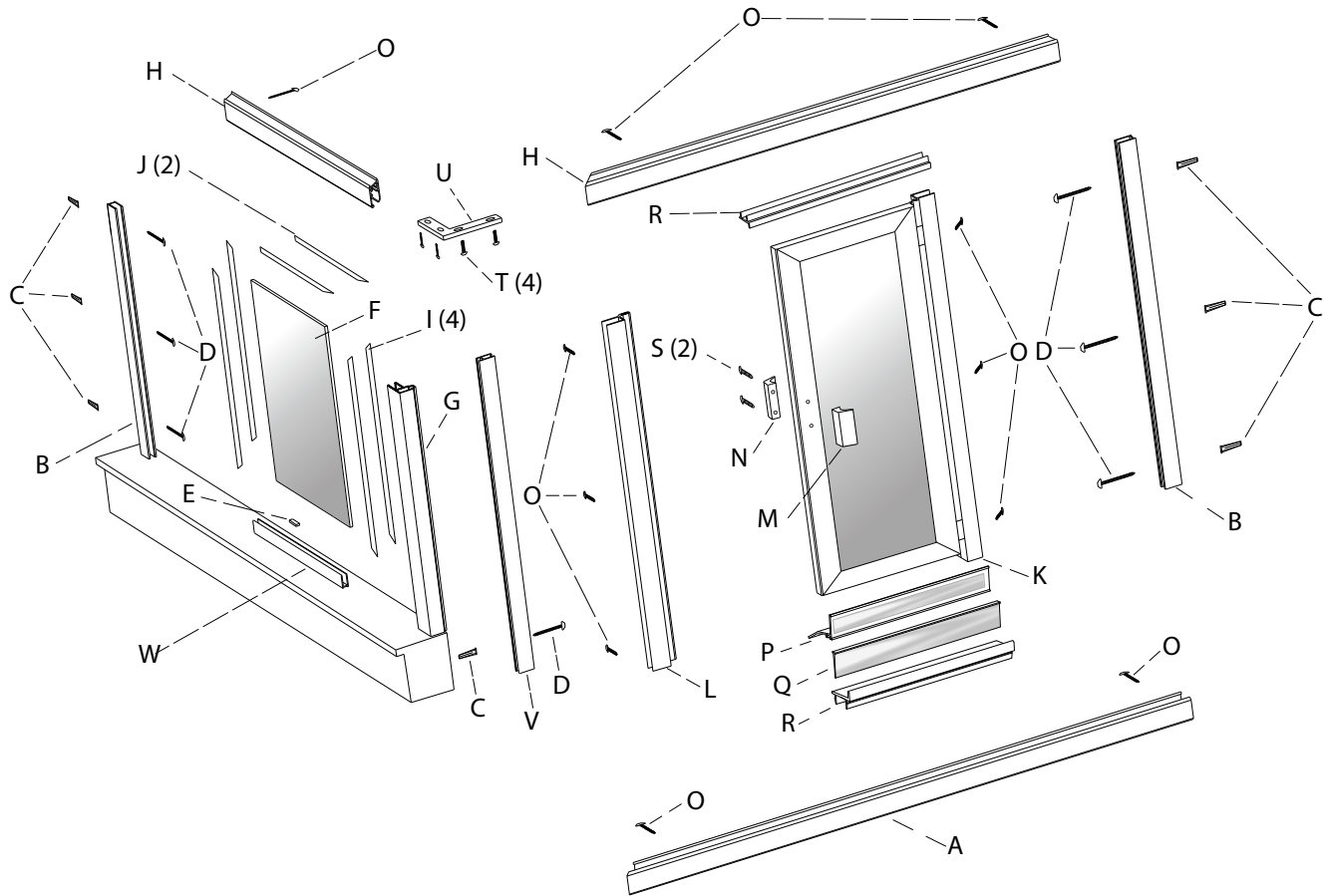


Installation Instructions

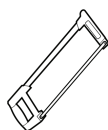
Premier Series 1400 / 1450 with Buttress Return Panel



Parts

ITEM	PART #	QTY	DESCRIPTION	ITEM	PART #	QTY	DESCRIPTION
A	401 C	1	Stall Curb	M	214 F	1	Exterior Handle
B	203	2	Wall Channel	N	214 M	1	Interior Handle
C	113	7	Plastic Wall Anchors	O	115	11	#6 x 1/2" Pan Head Screws
D	110	7	#8 x 1 1/2" Pan Head Screw	P	204	1	Drip Bar with Tap
E	147	1	Setting Block	Q	VM-2	1	Drip Bar Vinyl
F		1	Glass Panel	R	402	2	Curb Fillers
G	409	1	90-Degree Snap Post	S	114	2	#6-32 X 1 1/4" Round Head Screws
H	401 H	2	Stall Header	T	122	4	#6 X 1/4" Phillips Pan Type F
I	VM-4	4	Wall Channel Vinyl	U	145	1	90-Degree Bracket
J	VM-3	2	Stall Header and Curb Vinyl	V	410	1	180-Degree Snap Post
K	201	1	Hinge Jamb with Door Attached	W	210	1	Friction Sill
L	202	1	Latch Jamb with Magnet				

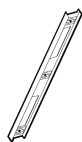
Tools



Hacksaw



Philips Screwdriver



Level



3/16" and 1/8" Drill Bit



Drill



Tape Measure



Safety Glasses



Masking Tape

Installation Notes

- The order in which the stationary panel and shower door are placed can be reversed.
- Unpack your unit carefully. Lay out and identify all parts using the instruction sheets as a reference. Before discarding the carton, check for any small hardware bags.
- If any parts are damaged or missing, refer to the description noted in the instructions when contacting your dealer for replacements.
- Please wear safety glasses whenever drilling or cutting.
- Handle the glazed panels carefully; tempered glass is difficult to break, but the sharp corners of the panels can damage tile and floor coverings.
- Before installing, check the tub rim for level and both walls for plumb. If either are out of plumb more than 3/8", you may want to contact your dealer for tapered fillers which can be used to level tub track or plum the side jambs.



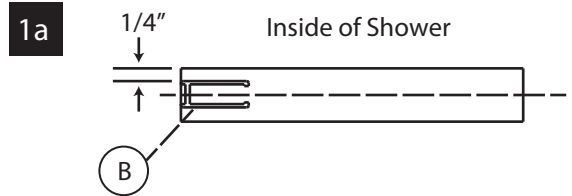
Caution: Tempered glass cannot be cut or drilled

1.

WALL CHANNEL for BUTTRESS

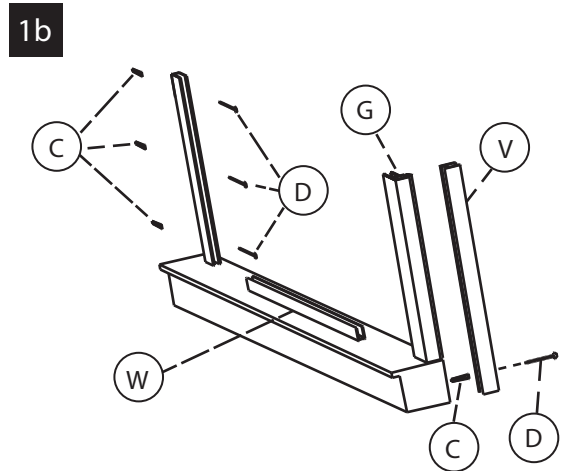
Step 1a.

- Measure 1/4" from the inside edge of the buttress. Place the edge of the wall channel (B) on the 1/4" mark. Mark hole locations on wall and remove wall channel (B) from buttress.
- Drill the walls with 3/16" drill bit (for tile drill using a 3/16" masonry bit). Insert plastic wall anchors (C) into drilled holes.



Step 1b.

- Replace the wall channel (B) and secure to wall with six #8 X 1 1/2" pan head screws (D). Press friction sill (W) into wall channel (B) then press 90-degree snap post (G) with 180-degree snap post (V) attached into friction sill (W).
- Plumb 90-degree snap post (G) with 180-degree snap post (V) attached and mark hole on bottom. Drill the walls with 3/16" drill bit (for tile drill using a 3/16" masonry bit).
- Insert plastic wall anchors (C) into drilled hole.

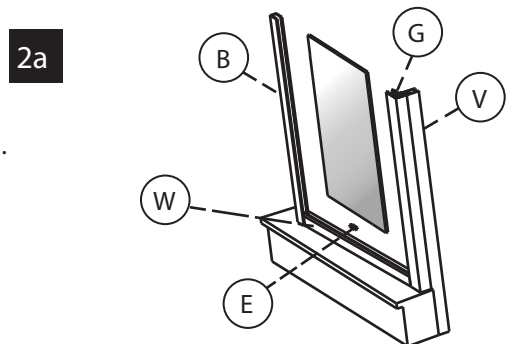


2.

BUTTRESS GLASS

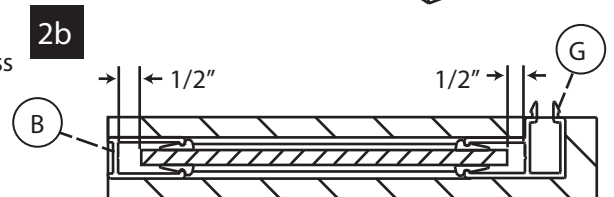
Step 2a.

- Press friction sill (W) into wall channel (B). Place setting block (E) into friction sill so that the setting block will fit in the middle of glass panel (F). Place glass into friction sill (W) and wall channel (B).



Step 2b.

- Next, press 90-degree snap post (G) over friction sill (W) and glass so the glass goes 1/2" into the 90-degree snap post.

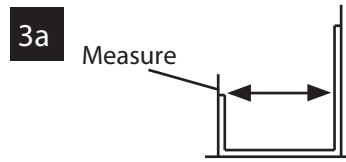


3.

STALL CURB and WALL CHANNEL

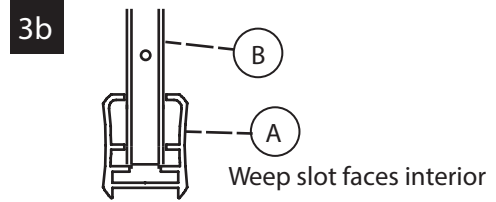
Step 3a.

- Measure the opening from the buttress wall to the full wall and cut the stall curb (A) to fit the full width of the opening. Position the curb in the center of the opening with the weep slots facing interior and mark its position.



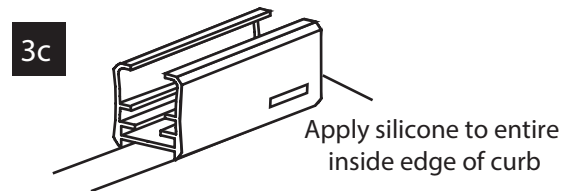
Step 3b.

- Press the wall channels (B) into the curb (A). Plumb the wall channels (B) and mark the hole locations on the wall.
- Remove all parts and drill the wall for plastic wall anchors using 3/16" drill bit. Push the wall anchors (C) into the drilled holes.



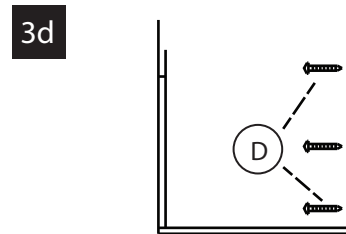
Step 3c.

- Apply silicone to underside of curb (A) and replace curb in previous location. Silicone both ends of curb in area where it meets the wall.



Step 3d.

- Replace wall channels (B) and secure to wall with three #8 X 1 1/2" pan head screws (D).
- Replace 90-degree snap post (G) with 180-degree snap post (V) into stall curb (A). Secure with one #8 X 1 1/2" pan head screw.



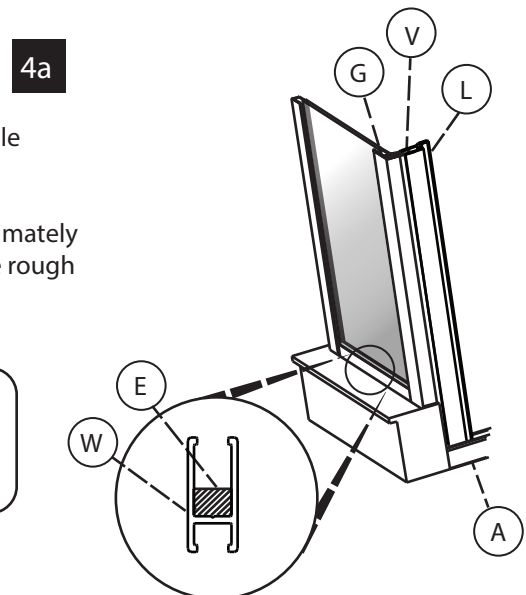
4.

SETTING the GLASS PANEL

Step 4a.

- Place setting block (E) in the curb (A) as shown. The setting block should be positioned to support glass panel (F) in the middle of panel.
- Set the glass panel so it rests on the setting block and fits approximately 1/2" into the 90-degree snap post (G). If obscure glass is used, the rough surface must be turned to the exterior.

Note: The 1/2" glass bite may be varied from 1/4" to 3/4" to facilitate out of plumb walls.

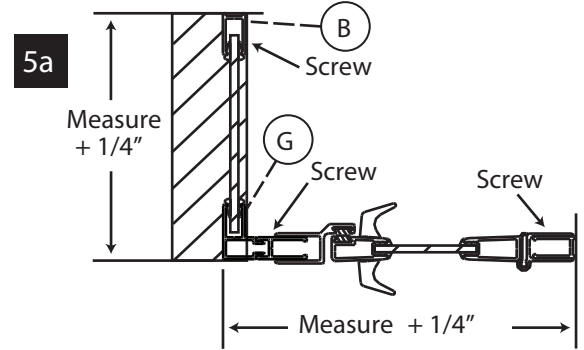


5.

SECURING the HEADER

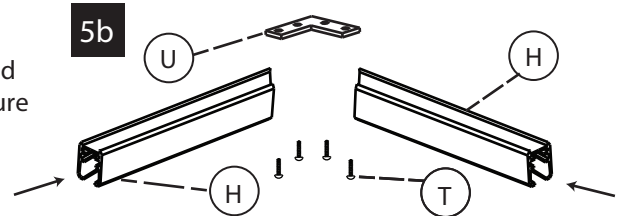
Step 5a.

- Measure the wall-to-wall opening at the top of the wall channels (B) to the 90-degree snap post (G), add 1/4" and cut the header (H) to fit exact opening; do this for both ends.



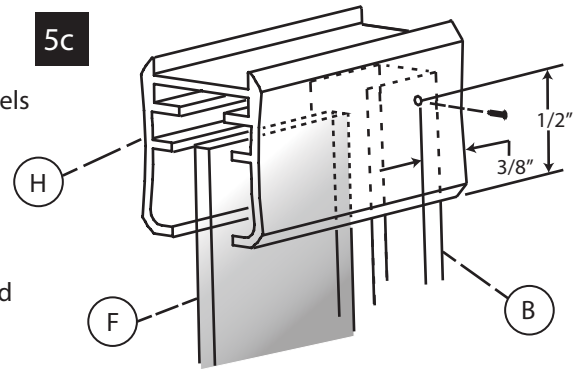
Step 5b.

- Using the holes in the 90-degree bracket (U) as a guide, mark and drill matching holes in the headers (H) with #32 drill bit and secure the 90-degree bracket (U) with four #6 X 1/4" screws (T).



Step 5c.

- Place header (H) over vertical posts; secure header to wall channels by drilling holes with a 1/8" drill bit through header and wall channels from inside of shower.
- Slide glass panel (F) away from the wall channels before drilling. The drill bit must not hit the glass.
- Secure with #6 X 1/2" pan head screws (O). Repeat on other side and bottom three corners. Reposition the glass panel.

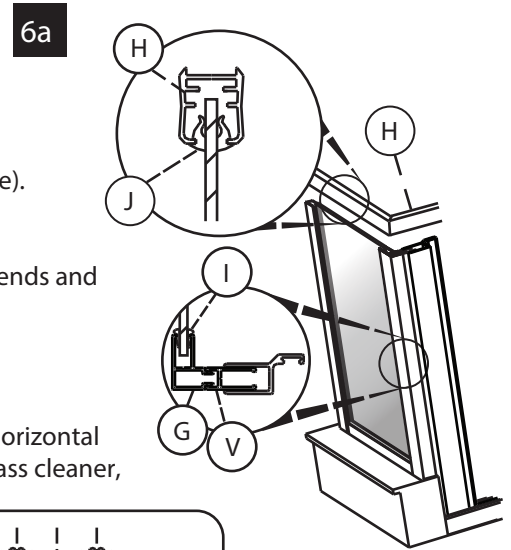


6.

APPLYING the VINYL STRIPS

Step 6a.

- Inspect the glazing vinyl and note that there are two profiles. The larger profile (J) is installed horizontally and the smaller profile (I) is installed vertically. The horizontal vinyl is installed first.
- Cut the vinyl slightly longer than the opening (this prevents shrinkage). Press the interior vinyl into place.
- Use a wood block to tap the exterior vinyl into place starting at both ends and work towards the middle.
- Install the bottom vinyl in the same manner.
- Install the vertical vinyl being sure the corners fit tightly against the horizontal vinyl. If vinyl is difficult to tap on, lubricate the glass and vinyl with glass cleaner, then press on vinyl.



Note: The wall channel vinyl (I) may be provided with four strips in one. Tear each strip off.

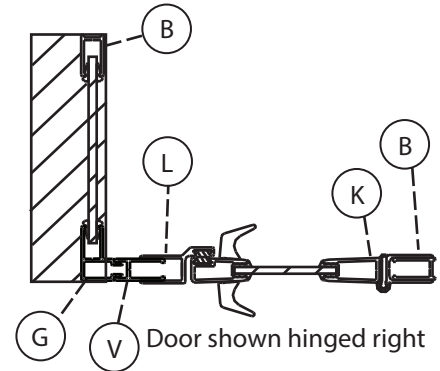
7.

ATTACHING the DOOR

Step 7a.

- The door is reversible and can swing to the right or left. Decide which way you wish the door to swing.
- Slide latch jamb (L) over the appropriate post with long side to the inside. Slide hinge jamb with door attached (K) over the post. Close the door so the magnets are touching.
- Move the door and make any adjustments on the 90-degree post and wall channel; check gap above door so that it is even (approx. 5/8").
- Drill with #32 drill bit the top pilot hole on hinge jamb; secure with # 6 X 1/2" pan head screw (O). Door will stay in place with one screw.
- Next, drill and secure remaining holes with the five remaining screws.

7a



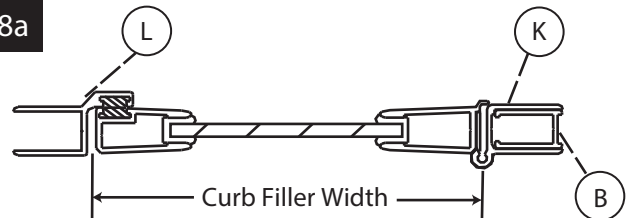
8.

MEASURE for CURB FILLERS

Step 8a.

- Measure between the latch jamb (L) and the hinge jamb (K). This should be the same as top or bottom rail of door + 5/16". Cut curb fillers to this measurement.

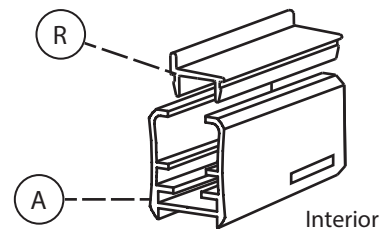
8a



Step 8b.

- Snap curb fillers (R) into stall header (H) and stall curb (A) with the 1/8" lip to the outside.

8b



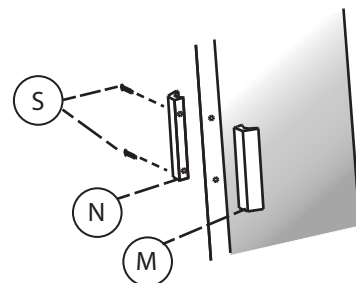
9.

HANDLE ATTACHMENT

Step 9a.

- Attach the exterior handle (M) and the interior handle (N) to the door with two # 6-32 X 1 1/4" round head screws (S).

9a



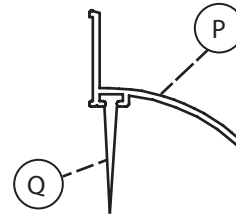
10.

DRIP BAR

Step 10a.

- Take the drip bar with tape (P) and the clear drip bar vinyl (Q) and slide the vinyl into the groove at the bottom of the drip bar.
- Leave 1/4" hanging out at both ends and crimp, so that the vinyl does not slide in groove.

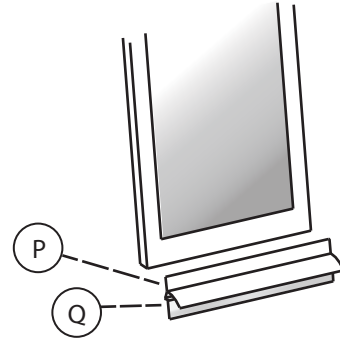
10a



Step 10b.

- From inside of shower, set drip bar on bottom rail and adjust so approximately 1/8" daylight space remains between bottom of vinyl and curb filler (R).
- Mark with pencil; peel off tape and press drip bar to door on marked position. You only get one chance to do this; **the adhesive is permanent.**

10b



11.

SILICONE SETUP

Step 11a.

- Silicone the entire unit where metal meets wall and curb. We recommend you let silicone set for 24 hours before using shower



24hrs